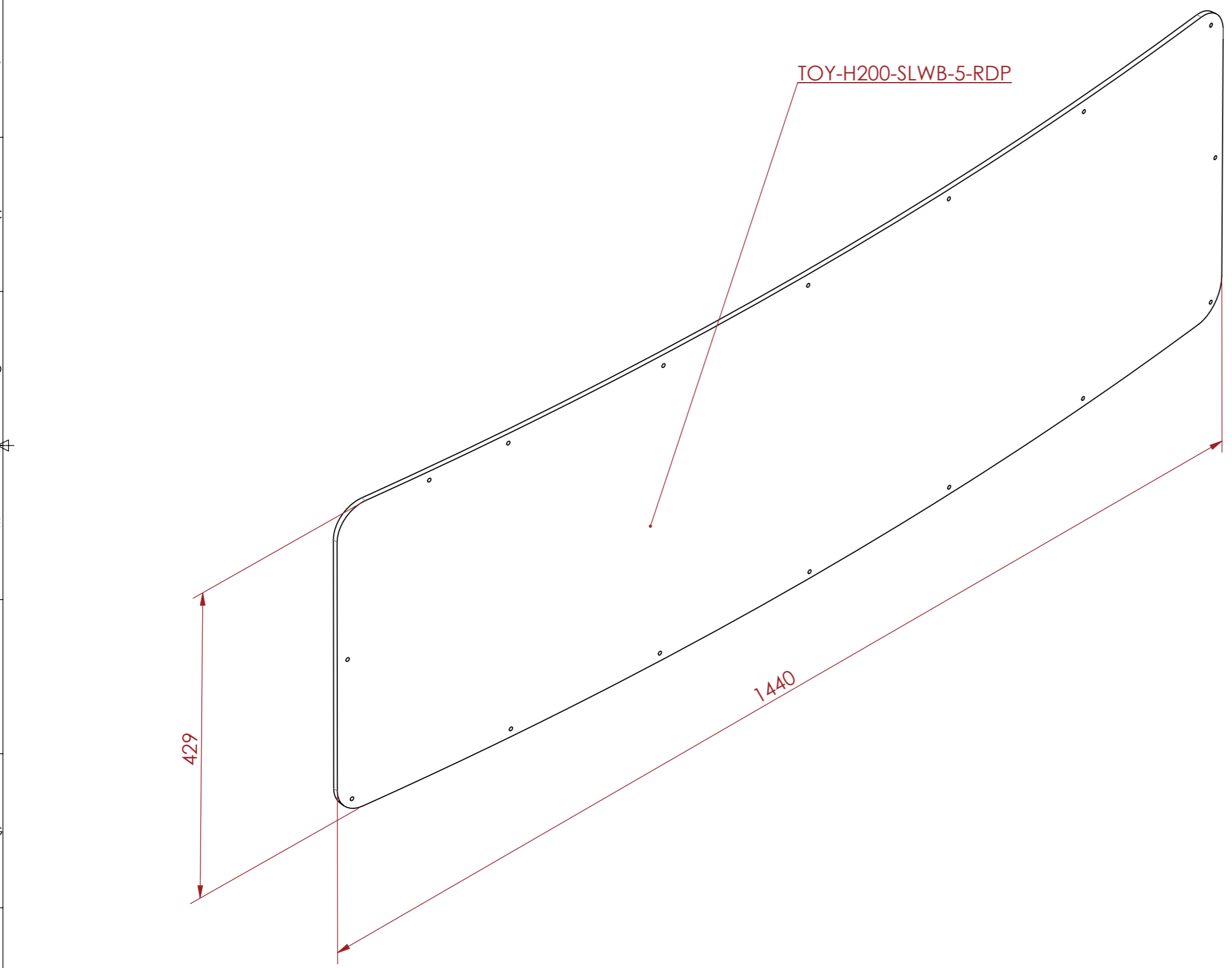


PRODUCT FEATURES

CONSTRUCTION

- 7MM POLYPROPYLENE PLASTIC FLIGHT PANEL SHEET FOR WALL PANELING

NOTES:
UNLESS SPECIFIED IN THE DRAWING,
ALL PRODUCTS DISPLAYED IN THIS
DRAWING OTHER THAN THE PANELS
AND EXTRUSIONS ITSELF IS NOT PART
OF OUR PRODUCT OFFERING.



INSTALLATION COST

40.82 AUD

ESTIMATED WEIGHT :

1.62 KG

ITEM CODE:

TOY-H200-SLWB-5-RDP

DRAWN BY:

KA

CHECKED BY:

AS

SCALE:

NTS



MAIL : sales@armorcases.com.au
WEB : www.armorcases.com.au